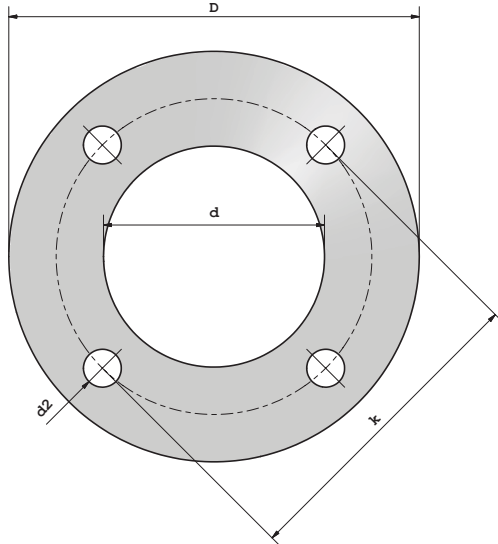


DIMENSION OF THE TANK WELDING FLANGE

Please mark!



D = mm

k = mm

n =

d = mm

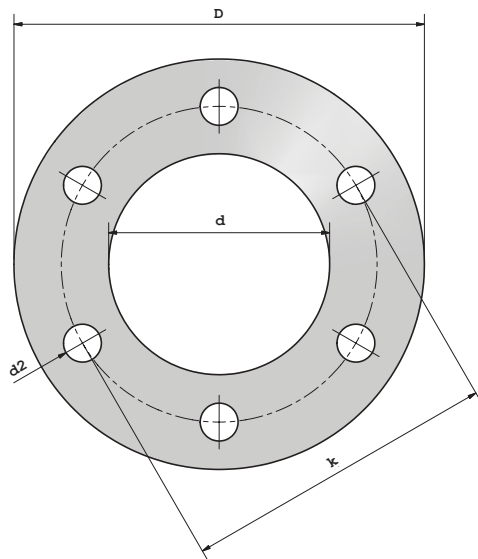
d2 = mm

Position of the hole pattern according to the drawing

yes no

Information

D = flange diameter
 k = circle diameter
 n = number of bolts
 d = inner flange diameter
 d2 = diameter of bolts



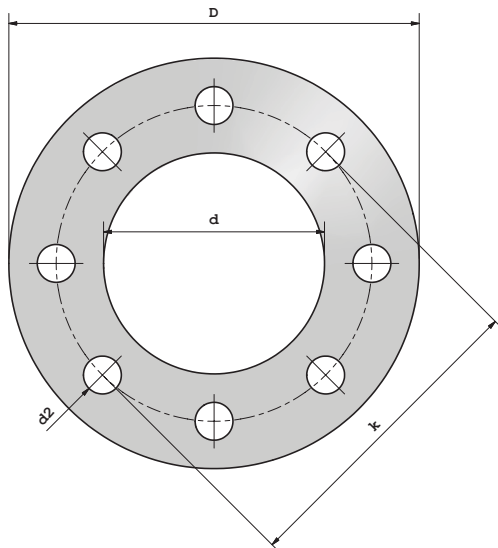
MOUNTING TYPE

hex bolts M _____

stud bolts M _____

or different bolts _____

special notes: _____



CUSTOMER

contact: _____

company: _____

phone: _____