

PROBE WITH HART®-COMMUNICATION FOR MARINE AND OFFSHORE

FUNKTION

The hydrostatic probe type LTH has been developed for measuring level in service and storage tanks and is as a consequence certificated for shipbuilding and offshore applications.

A permissible operating temperature of up to 85°C and the possibility to use the device in intrinsic safe areas enable to measure the pressure of various fluids under extreme conditions. The basis for the LTH is a capacitive ceramic sensor element, which offers a high overload resistance and medium compatibility.

accuracy according to IEC 60770:

0.1 % FSO

TECHNICAL DATA

Nominal pressure	von 0 ... 60 cm H ₂ O bis 0 ... 200 m H ₂ O
Output signals	2-wire: 4 ... 20 mA others on request
Special characteristics	shipping approvals acc. to: Germanischer Lloyd (GL) diameter 39.5 mm HART® communication (setting of off-set, span and damping) high overpressure resistance high long-term stability
Optional versions	diaphragm Al2O3 99.9 % different housing materials (stainless steel, CuNiFe) IS-version zone 0 screw-in and flange version accessories e.g. assembling and probe flange, mounting clamp

PREFERRED AREAS OF USE ARE

Water

Drinking water abstraction

Desalinization plant

Shipbuilding / Offshore

Ballast tanks

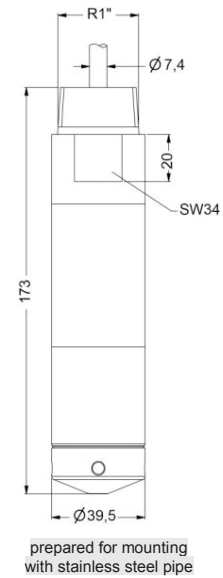
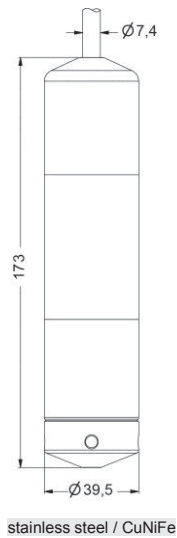
Draught monitoring

Level measurement in ballast and storage tanks

Wiring diagrams	Pin configuration	
2-wire-system (current) HART® 	Electrical connection	cable colours (DIN 47100)
	Supply V_{S+} Supply V_{S-}	wh (white) bn (brown)
	Shield	ye/gn (yellow / green)

Dimensions (in mm)

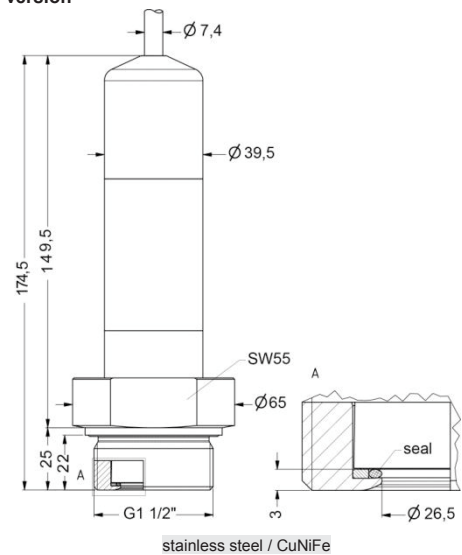
probe version



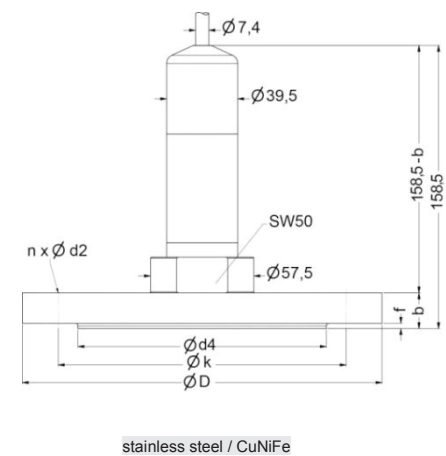
HART® is a registered trade mark of HART Communication Foundation;
Windows® is a registered trade mark of Microsoft Corporation

Dimensions (in mm)

screw-in version

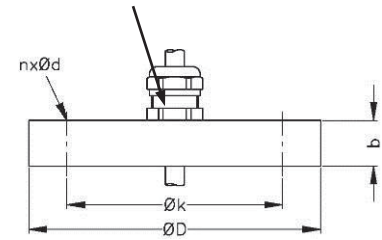


flange version



Transmitter flange for flange version		
Technical data		
Suitable for	LTA, LTH	
Flange material	stainless steel 1.4404 (316L)	
Hole pattern	according to DIN 2507	
Version	Size (in mm)	Weight
DN25 / PN40	D = 115, k = 85, d4 = 68, b = 18, f = 2, n = 4, d2 = 14	1.2 kg
DN50 / PN40	D = 165, k = 125, d4 = 102, b = 20, f = 3, n = 4, d2 = 18	2.6 kg
DN80 / PN16	D = 200, k = 160, d4 = 138, b = 20, f = 3, n = 8, d2 = 18	4.1 kg
Ordering type		Ordering code
Transmitter flange DN25 / PN40		ZSF2540
Transmitter flange DN50 / PN40		ZSF5040
Transmitter flange DN80 / PN16		ZSF8016
Mounting flange with cable gland		
Technical data		
Suitable for	all probes	
Flange material	stainless steel 1.4404 (316L)	
Material of cable gland	standard: brass, nickel plated on request: stainless steel 1.4305; plastic	
Seal insert	material: TPE (ingress protection IP 68)	
Hole pattern	according to DIN 2507	
Version	Size (in mm)	Weight
DN25 / PN40	D = 115, k = 85, b = 18, n = 4, d = 14	1.4 kg
DN50 / PN40	D = 165, k = 125, b = 20, n = 4, d = 18	3.2 kg
DN80 / PN16	D = 200, k = 160, b = 20, n = 8, d = 18	4.8 kg
Ordering type		Ordering code
DN25 / PN40 with cable gland brass, nickel plated		ZMF2540
DN50 / PN40 with cable gland brass, nickel plated		ZMF5040
DN80 / PN16 with cable gland brass, nickel plated		ZMF8016

cable gland M16x1.5 with seal insert (for cable- \varnothing 4 ... 11 mm)



www.uad-online.de

CONTACT

UAD Service + Vertriebs UG
[Haftungsbeschränkt]

Alter Hafen Nord 216
D-18069 Rostock

t +49 381. 202 60 800

f +49 381. 202 60 809

e info@uad-online.de