



FUNCTION

The level switch type LSB operates on the principle of magnetic switching triggering a reed contact. The use of this level switch is extremely varied. It is used wherever fluid levels should be monitored or regulated. An integrated test function allows a mechanical inspection of the switch even when it is installed.

TECHNICAL DATA

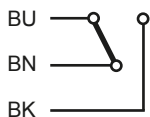
materials	
housing	1.4571
float unit	Buna N
protection type	IP68
approvals	DNV-GL LR
max. pressure	3 bar
max. density	0,70 g/cm ³
max. temperature	-40°C...+80°C
mounting	bracket
cable length	2m (standard)
mounting position	vertical
electrical connection	cable for shipbuilding and navy
weight	ca. 735 g

ELECTRICAL DATA

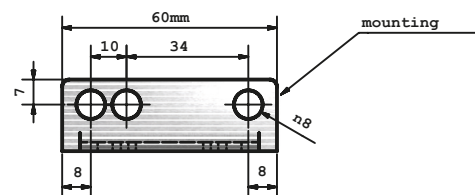
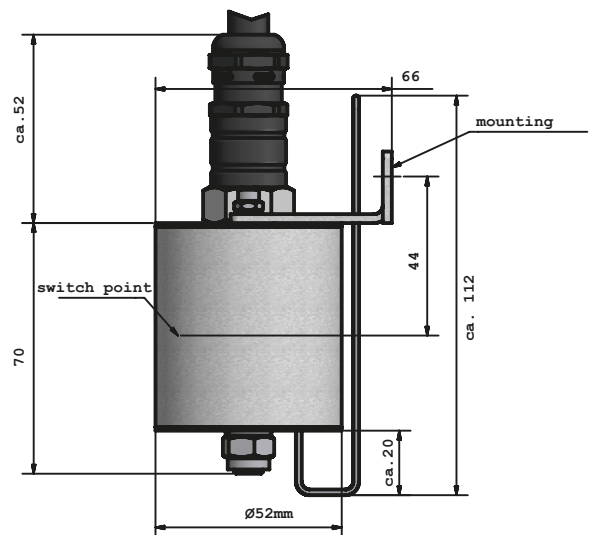
contact mode
change-over

contact rating
250 V AC | 1,0 A | 100 VA

WIRING DIAGRAM



DIMENSIONS



CONTACT

UAD Service + Vertriebs UG
[Haftungsbeschränkt]

Alter Hafen Nord 216
18069 Rostock

t +49 (0)381. 202 60 800

f +49 (0)381. 202 60 809

e info@uad-online.de



www.uad-online.de